



**CUSTOM PRODUCTS & SERVICES**  
6286 Claude Way E, Inver Grove Heights, MN 55076-4435  
PH: 888-444-1202 (Toll Free) or 651-452-0113 Fax: 651-452-2264  
*E-mail: [Info@custom-products.com](mailto:Info@custom-products.com)*  
*Website: [www.custom-products.com](http://www.custom-products.com)*

---

### ADA Recommendations

The **Powerflor Cable Management system** includes ramp access to our floor surface. We offer three standard ramp slopes ( 1/8, 1/12, and 1/20 ) . Our system's designs include where appropriate or specified, our use of Ramping and Railing in accordance with the US Department of Justice, Americans with Disabilities Act ( ADA ) recommendations.

The ( DOJ ) recommendations have been adopted as requirements by some local authorities and as recommendations by others. Our project designs should be reviewed and approved by your local authorities prior to project execution.

Button Click to a .pdf document titled “ **Additional Information** “ as follows :

## General

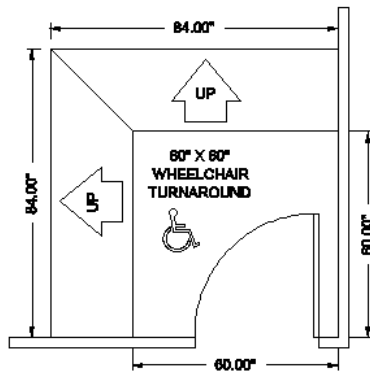
Our system height being 3" nominal, results in our ramps having a horizontal dimension ( top to bottom ) as follows; 1/8 slope = 24", 1/12 slope = 36", and 1/20 Slope = 54", with widths available as required. All of these slope options meet the current ADA recommendations. However, please note that the 1/8 slope ramp is acceptable in accordance with ADA standard, Paragraph / Table 405.2 as an exception for " Existing Sites, Buildings, and Facilities ". Further, the ADA Standard, Paragraph 403.3, defines acceptable walkways as being with a running slope no greater than 1/20. As such no setbacks from door entranceways are required when using this slope ramp.

Our overall height being 3", Railings are not required in accordance with ADA standards, Paragraph 405.8. However, they may be part of your design to eliminate a tripping hazard and / or contain our system or provide system edge trim.

Ramp directions, widths, and slopes will be designed to meet the ADA recommendations, while providing minimum space impact to the space the system covers

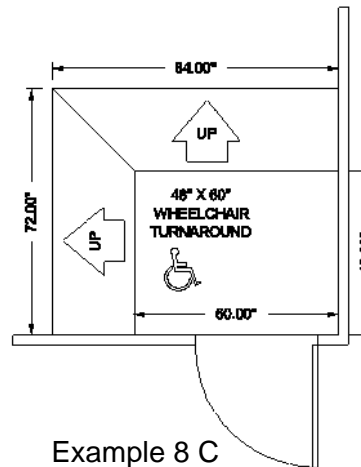
## Typical 1 / 8 Slope Ramp Layouts

w/ Doors that swing into the system space:

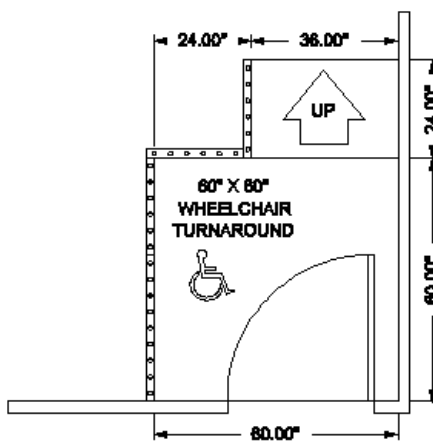


Example 8 A

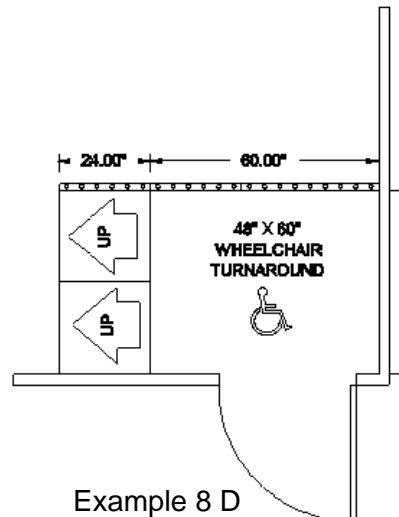
w/ Doors that swing away from the system space:



Example 8 C



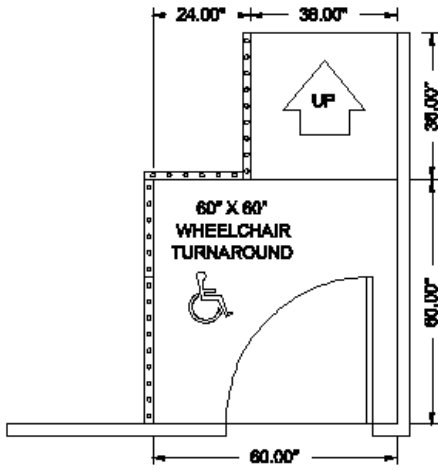
Example 8 B



Example 8 D

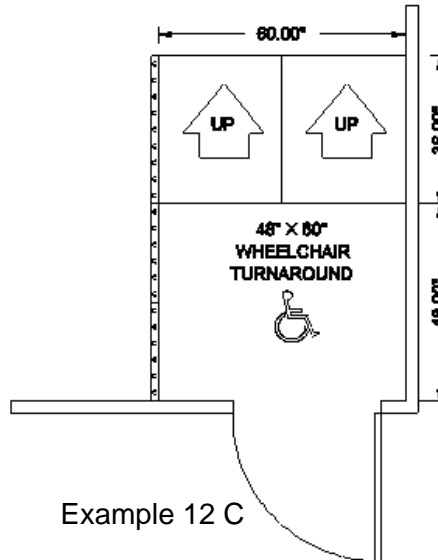
## Typical 1 / 12 Slope Ramp Layouts

w/ Doors that swing into the system space:

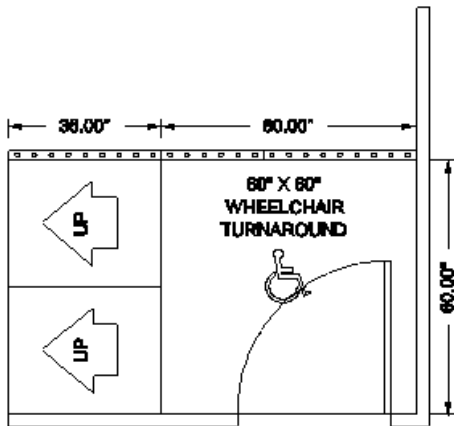


Example 12 A

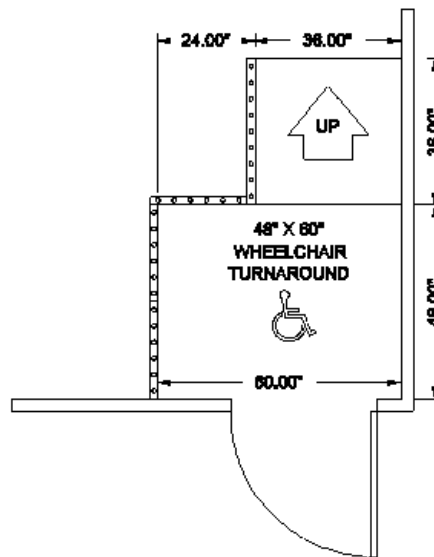
w/ Doors that swing away from the system space:



Example 12 C



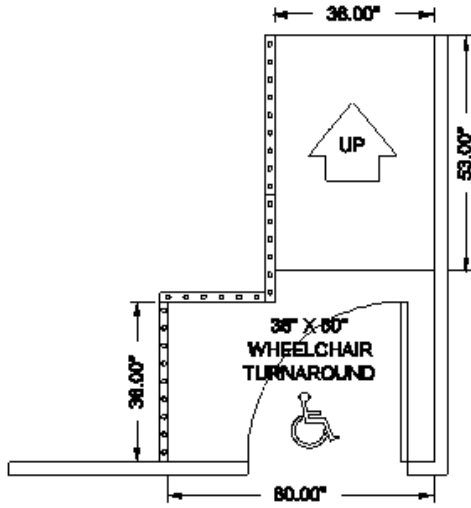
Example 12 B



Example 12 D

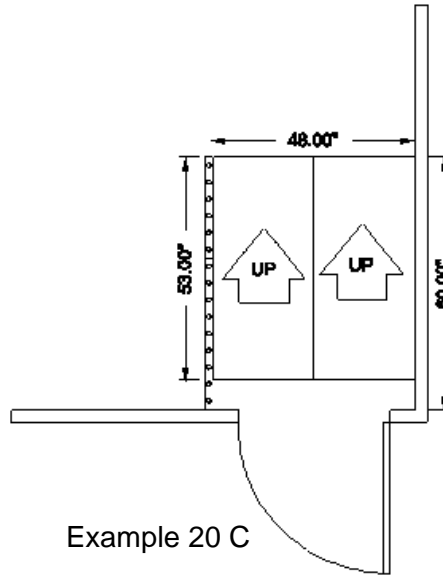
## Typical 1 / 20 Slope Ramp Layouts

w/ Doors that swing into the system space:

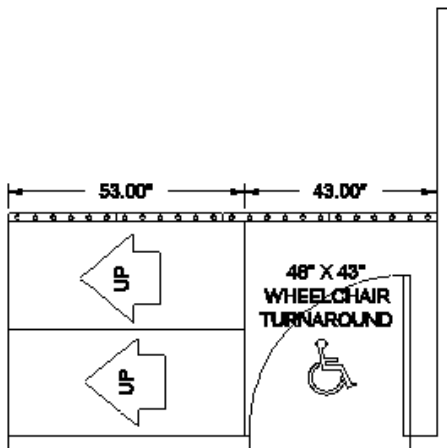


Example 20 A

w/ Doors that swing away from the system space:



Example 20 C



Example 20 B