



1. CONDITIONS FOR USE

This micro abrasive blaster may only be operated:

- Indoors;
- Below 6500 ft above sea level altitude;
- Ambient air temperature between 40°-105°F (5-40°C);
- Maximum relative humidity of 80% at 88°F;
- Power supply current fluctuations does not exceed 10% of nominal value;
- Under level 2 contamination conditions;
- Supply cool, dry air only, at a maximum of 150 PSI.

2. SAFETY

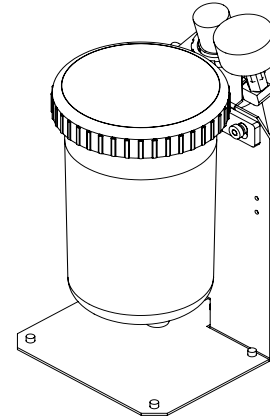
- Always disconnect the unit from the compressed air and power sources before beginning any maintenance.
- When working with the tank wear protective glasses to protect your eyes.
- Any abrasive material on the o-ring may lead to leakage and early wear of the o-ring. After filling, clean the thread and o-ring before applying the lid.
- Solvents will create cracks in the jar and weaken the jar (danger of explosion!). Clean the lid and tank only with a dry cloth. Do not write or adhere anything to the jar or lid.
- Check for damages on the lids and tanks regularly and replace them if there is any doubt of the structural integrity.
- Before operation, check to make certain the lid is secured properly. Using the product without the lid secured will create a serious explosive hazard.
- Never operate the blasting units without suitable dust extraction and appropriate protective gear. The type of dust extraction should be based on the type of dust generated. Ask the proper authorities.
- Never direct the blasting material towards eyes or unprotected areas of skin. Improper use can result in risk of eye or skin injuries.
- Caution: Failure to wear eye protection can result in eye injury. Wear proper eye protection to protect your vision.
- Do not depress the foot switch when only the compressed air supply hose is connected. The loose hose could wrap around itself and cause serious injury.

2.1 Liability Exclusion - Vaniman Manufacturing shall be absolved from all claims for damages and warranty if:

- The product is used for any purpose other than it was designed for.
- The product is altered in any way other than those described in the operating instructions.
- The product is repaired by any body other than an authorized facility or if any parts other than Vaniman OEM parts are used.
- The product continues to be employed, despite obvious safety faults.

PACKING LIST

- 1 - Mobile Problast
- 1 - Instructions
- 1 - Additional Quick Disconnect



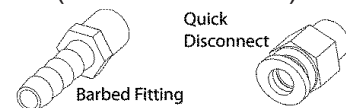
INSTALLATION & OPERATION

1. Unscrew cap on media storage tank
2. Fill abrasive storage tank to fill line with aluminum oxide micron size specified on tank label. The tank will hold up to 4 lbs of media. **DO NOT OVER FILL** as clogging may result.

Part No.	Nozzle Size, Inches (mm)	Color	Recommended Media
Long Lasting Crystal Tips (2 per package)			
97902	Medium, .032" (.8mm)	Blue	25/50 μm Al_2O_3
97903	Large, .048" (1.2mm)	Black	50/100 μm Al_2O_3 , 50 μm Glass
97904	Extra Large, .065" (1.6mm)	Red	100-250 μm Al_2O_3 , 50/100 μm Glass
Precision Tungsten Carbide Tips (1 per package)			
97905	Small, .026" (.65mm)	Yellow	25 μm Al_2O_3
97906	Medium, .036" (.91mm)	Green	50/100 μm Al_2O_3 , 50 μm Glass
97907	Large, .059" (1.5mm)	Violet	100-250 μm Al_2O_3 , 50/100 μm Glass

3. Wipe off excess abrasive and screw cap securely back into place. **Do not over-tighten**; lid will self seal when under pressure.
4. Attach your 1/4" ID (inside diameter) hose air supply line to the barbed fitting on the back of the unit, on the right of the small valve. Secure hose with a small screw-type clamp. If necessary remove the fitting and replace with the quick disconnect fitting. **NEVER** depressurize the system by disconnecting the air supply line while under pressure; abrasive will be forced into the foot valve and regulator, causing damage. Before disconnecting the air supply line, turn regulator down (counterclockwise) until the pressure gauge reads zero.

For more help visit: [www.vaniman.com/air-supply-connections-blasters/](http://www.vaniman.com/air-supply-connections-blasters/**)



5. Regulate air pressure by turning the air regulator knob. Pull knob up to unlock before turning. Pressure will indicate pressure reading. **DO NOT** adjust above 100 psi (7 BARS).
6. Use the foot pedal to start the flow of air and blasting media. Release the foot pedal to stop the flow.

MAINTENANCE

Vaniman blasters are designed to be low maintenance. However, as the materials used in a microblaster are abrasive by design, components do wear out. A few minor areas should be maintained regularly for a long product life.

Handpieces Hoses:

Check handpiece hoses for wear regularly. When hose feels thin or holes develop, the tubing should be replaced. On the rear of the unit, where the handpiece hoses come through the cabinet, there is an aluminum assembly that is a pinch valve for stopping and starting the media flow for the I/O option. This will be the point of highest wear on the tubing. The hose can be slid back and forth in order to "wear" a new section of hose. If a hole develops, replace the tubing.

Handpiece Tip Installation:

It is imperative that the handpiece tip and sealing o-ring be installed correctly and securely to avoid damage or leaks. Install in the manner shown being sure the tip and o-ring seat evenly in the assembly.

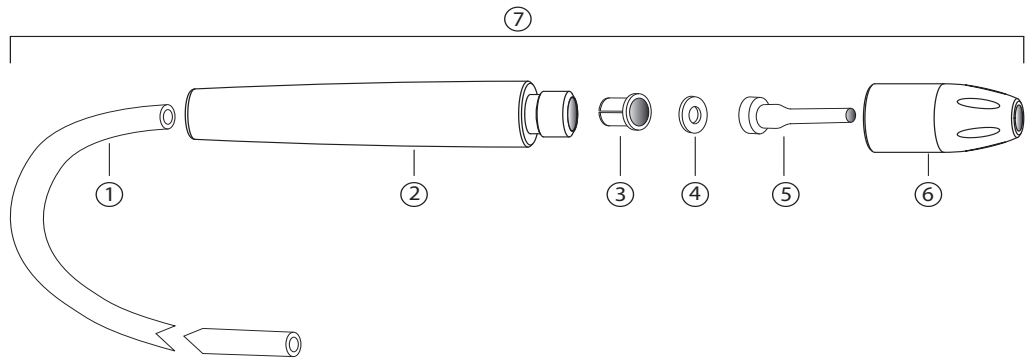
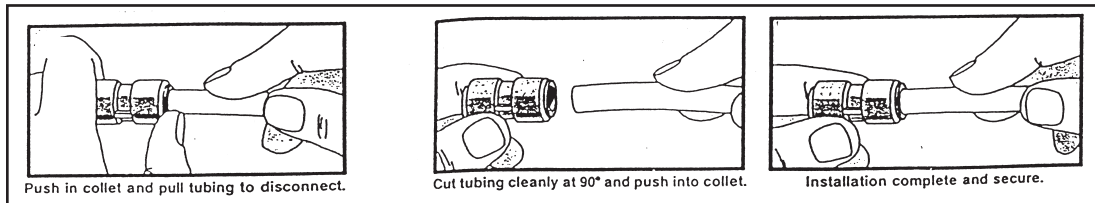


Fig.	Reorder #
1	2192
2	2191
3	2187
4	2188
5	varies, #4 Included
6	2177
7	97959, #4 & #5 Not Included



Tanks:

When installing the lids on the tanks, be sure the lid is rid of any blasting material or debris. If the tank or lid begins to wear, replace immediately. Do not overtighten the lid on the unit. The fittings on the bottom of the tank are designed for easy maintenance of the hoses. To remove a handpiece tubing from quick disconnect fitting, push toward the tank on the plastic ring while pulling the tubing out. Do not remove the hose fittings while tank is full of media and upright; turn the tank upside down or empty before removing hoses. To replace, be sure the fitting and hose are free of debris or abrasives and push the hose firmly into the fitting. Be sure it goes in until you can see it through the clear wall of the tank fitting. Improper installation will result in leakage and damage to the tanks.

NOTE: Do not remove the hose fittings while tank is full of media and upright; turn the tank upside down or empty before removing hoses.

Moisture

Vaniman blasters include a Filter for small amounts of oil and moisture. If moisture causes the media to clump or cake in the tanks, improper media flow will result. Be sure the air supply is relatively oil and moisture free. An addition of the heavy duty air filter/dryer may solve the problem (See below for ordering information).

REPLACEMENT PARTS

Blasting Media

Part No.	Material	Size	Applications
97921	Aluminum Oxide	25micron	Fine surfacing of metal or hard materials.
97922	Aluminum Oxide	50micron	Deburring and deflashing of metals and other hard materials.
97923	Aluminum Oxide	100micron	Aggressive removal of materials, semi-rough finished surface.
97924	Aluminum Oxide	250micron	Bulk removal or surface cleaning of tough materials. Rough surface preparation.
97925	Glass Bead	50micron	Smoothing/polishing. Cleans and polishes without removing material.

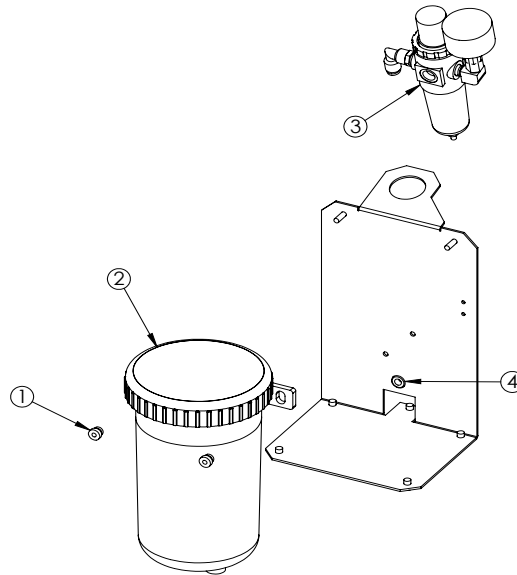


Fig. #	Description	Reorder Part Number
1	Thumb Nut	2266
2	Sand Jar Assembly 25 micron Sand Jar Assembly 50-100 micron Sand Jar Assembly 110-250 micron	97956 97957 97958
3	Regulator	2303
4	Grommet	2819
Not Shown	Foot Pedal Assembly	2101

PLUMBING

