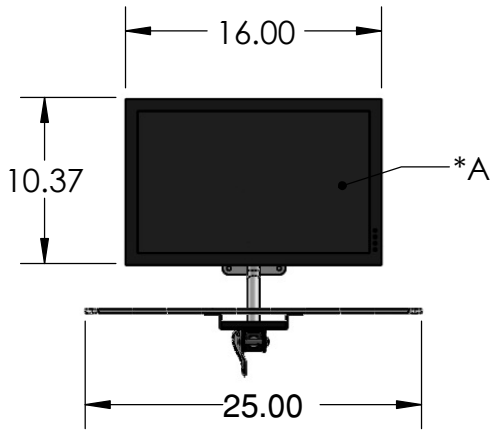
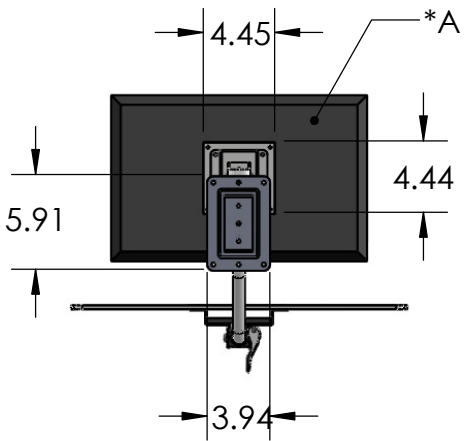
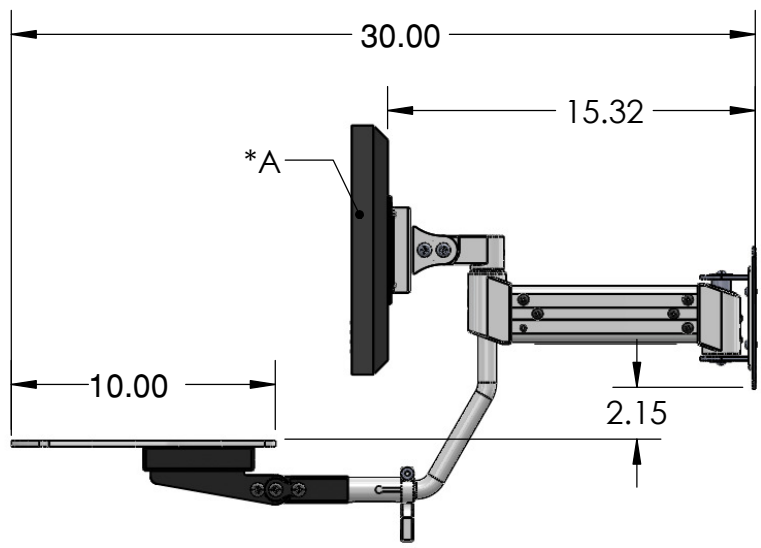
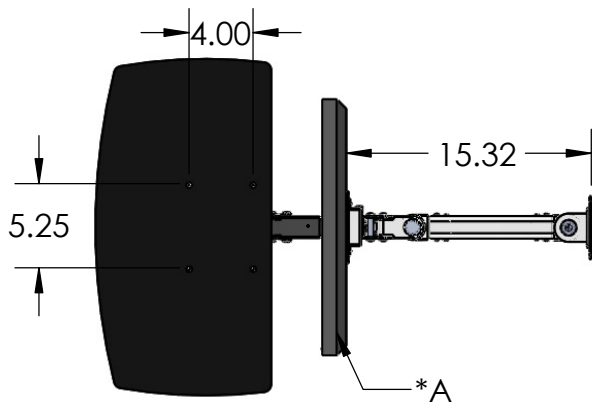


Drawing #: 60239-W10
 Wall Mounted LCD Monitor w/ Drop Down Keyboard and Extension Arm

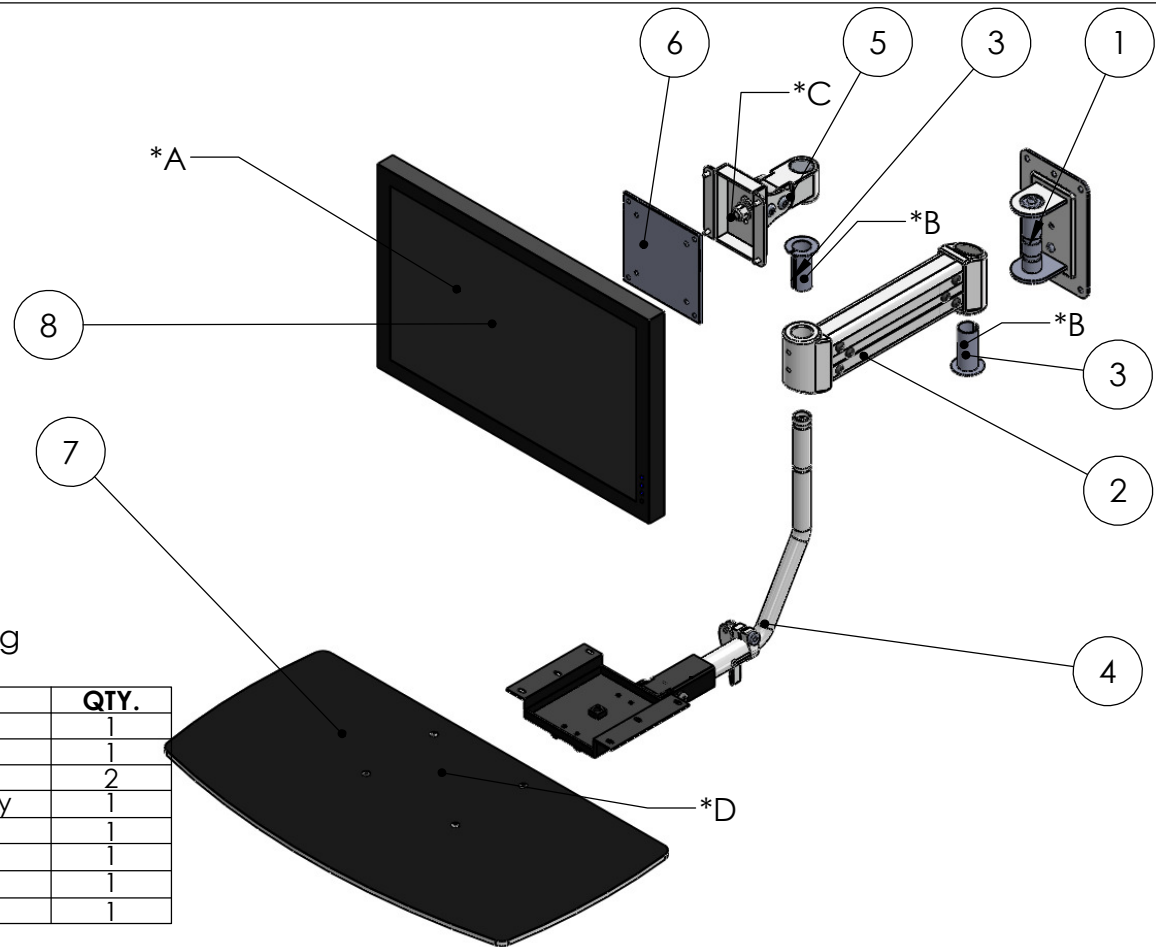


*A Monitor dimensions based on a standard 17" Monitor. Monitor is NOT included in the assembly

PROPRIETARY AND CONFIDENTIAL
 THE INFORMATION CONTAINED IN THIS DRAWING IS THE SOLE PROPERTY OF CUSTOM PRODUCTS AND SERVICES. ANY REPRODUCTION IN PART OR AS A WHOLE WITHOUT THE WRITTEN PERMISSION OF CUSTOM PRODUCTS AND SERVICES IS PROHIBITED.

		UNLESS OTHERWISE SPECIFIED:		NAME	DATE
		DIMENSIONS ARE IN INCHES	DRAWN	NJN	5/3/13
		TOLERANCES:	CHECKED		
		FRACTIONAL ±	ENG APPR.		
		ANGULAR: MACH ± BEND ±	MFG APPR.		
		TWO PLACE DECIMAL ±	Q.A.		
		THREE PLACE DECIMAL ±	COMMENTS:		
		INTERPRET GEOMETRIC TOLERANCING PER:			
		MATERIAL			
NEXT ASSY	USED ON	FINISH			
APPLICATION		DO NOT SCALE DRAWING			

TITLE: Custom 60239-W10		
SIZE A	DWG. NO. 60239-W10	REV
SCALE: 1:16	WEIGHT:	SHEET 1 OF 2



Drawing #:60239-W10
 Custom 60239-W10 Exploded View Drawing

ITEM NO.	PART NUMBER	DESCRIPTION	QTY.
1	25-12	Wall Mount Bracket	1
2	22-03-3	10" Extension Arm	1
3	IS-13	Pastic Insert Sleeve	2
4	21-13	Drop Down keyboard Tray	1
5	21-01	Pivot Bracket	1
6	21-02	Adaptor Plate	1
7	TS825CH	Keyboard Tray	1
8	17-MON	17" Monitor	1

*A: Monitor is NOT included with the DFB-60239 Assembly

*B: Do NOT remove the plastic insert sleeves from the 22-03-3 Extension arm. Arm will not function properly without them

*C: Use Install kit provided to attach the 21-01 pivot bracket to the 21-02 Adaptor Plate (if needed, Use additional 4 screws to attach monitor)

*D: Use the install Kit (4x screws, 4x nuts) to Attach the 24-31P Keyboard Tray to the 21-13 Drop down platform

PROPRIETARY AND CONFIDENTIAL
 THE INFORMATION CONTAINED IN THIS DRAWING IS THE SOLE PROPERTY OF CUSTOM PRODUCTS AND SERVICES. ANY REPRODUCTION IN PART OR AS A WHOLE WITHOUT THE WRITTEN PERMISSION OF CUSTOM PRODUCTS AND SERVICES IS PROHIBITED.

		UNLESS OTHERWISE SPECIFIED:		NAME	DATE	
		DIMENSIONS ARE IN INCHES TOLERANCES: FRACTIONAL ± ANGULAR: MACH ± BEND ± TWO PLACE DECIMAL ± THREE PLACE DECIMAL ±	DRAWN	NJN	5/3/13	TITLE: Custom 60239-W10
			CHECKED			
			ENG APPR.			
			MFG APPR.			
		INTERPRET GEOMETRIC TOLERANCING PER:	Q.A.			
		MATERIAL	COMMENTS:			
		FINISH				SIZE A DWG. NO. 60239-W10 REV
NEXT ASSY	USED ON					SCALE: WEIGHT: SHEET 2 OF 2
APPLICATION		DO NOT SCALE DRAWING				