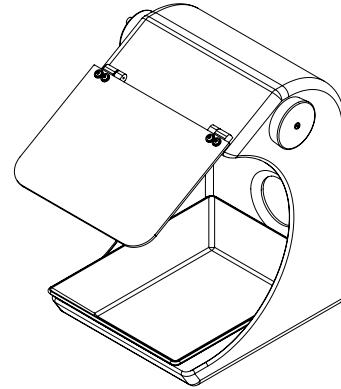


SPLASH HOOD WITH LIGHT

PACKING LIST

- 1 - Splash Hood with Light
- 1 - Dust Pan
- 1 - Cap
- 1 - Cap with Screen
- 1 - Adapter (VMC-1006A)



ASSEMBLY INSTRUCTIONS

1. Remove the Unit and other parts from the box and check against the packing list.
2. Attach a dust collector hose to the 2-1/2" port on the back. Use the supplied adapter to attach a 1-1/2" hose to the port.
3. Put cap with screen over dust collector hose or adapter.

OPERATION

1. The Splash Hood should be positioned appropriately to maximize dust and debris collection.
2. Plug in the light cord into any standard wall outlet.
3. The light switch can be found on the side of the hood.

MAINTENANCE

1. If the replacement shield needs to be replaced, remove and replace with part number below.

REPLACEMENT PARTS

Replacement Shield 96049

Replacement Light Bulb 1805

Making Splash Hood Connections:

