



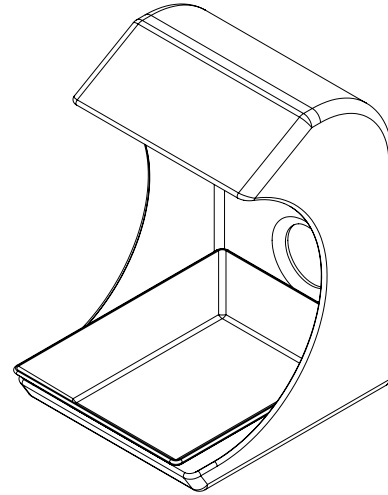
## SPLASH GUARD

---

### PACKING LIST

---

- 1 - Splash Guard
- 1 - Dust Pan
- 1 - Cap with Screen
- 1 - Cap
- 1 - Adapter (VMC-1006A)



---

### ASSEMBLY INSTRUCTIONS

---

1. Remove the Unit and other parts from the box and check against the packing list.
2. Attach the dust collector hose to the 2-1/2" port on the back. Use the supplied adapter to attach a 1-1/2" hose to the port.
3. Put cap with screen over dust collector hose or adapter.

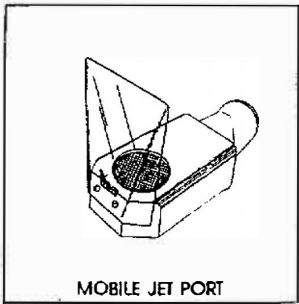
---

### RECOMMENDED USAGE

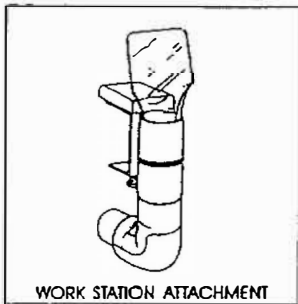
---

1. The Splash Hood should be positioned appropriately to maximize dust and debris collection.

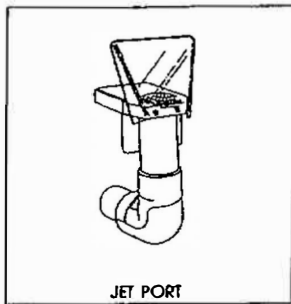
# VANIMAN ADAPTER GUIDE



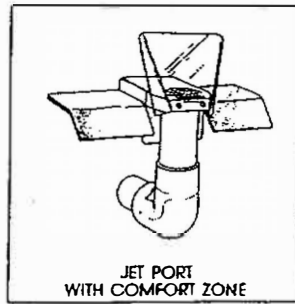
MOBILE JET PORT  
VMC-A442



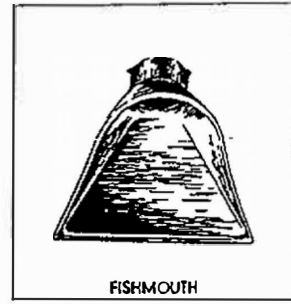
WORK STATION ATTACHMENT  
VMC-A390



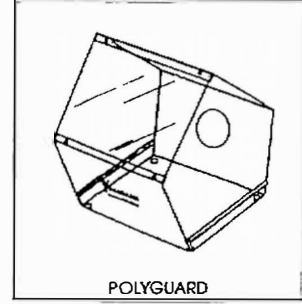
JET PORT  
VMC-A440



JET PORT WITH COMFORT ZONE  
VMC-A441



FISHMOUTH  
VMC-A395

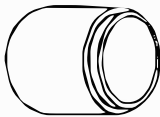


POLYGUARD  
VMC-A398

## ADAPTERS


NO ADAPTER REQUIRED

ADAPTER REQUIRED:  
1½" Pipe to 2½" Hose Female



VMC-1036

ADAPTER REQUIRED:  
1½" Hose to 2½" Accessory



VMC-1006A

NO ADAPTER REQUIRED

## HOSES

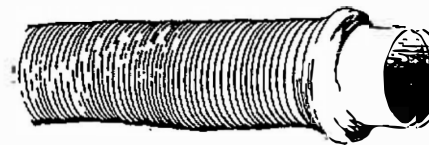
To Accumulator  
or  
Van-I-Vac



HOSE END (VMC-1009)  
(1¾" Inside Diameter)

1½" HOSE (Gray Color)  
[Comes with all Vani-I-Vacs or 2 Station STARS]

To Accumulator  
or  
Van-I-Vac STAR



HOSE END  
(2¼" Outside Diameter)

2½" HOSE (White Color)  
Comes with all Van-I-Vac STARS

