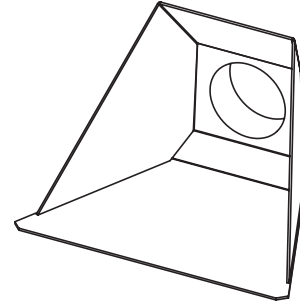


PACKING LIST

- 1 - Fishmouth
- 1 - Adapter (VMC-1006A)



ASSEMBLY INSTRUCTIONS

1. Remove the Unit and other parts from the box and check against the packing list.
2. Insert Adapter into the collecting port if needing to connect to 1.5" Grey Hose (see picture below).

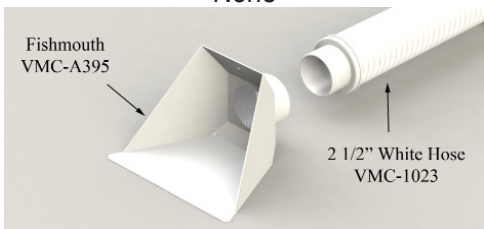
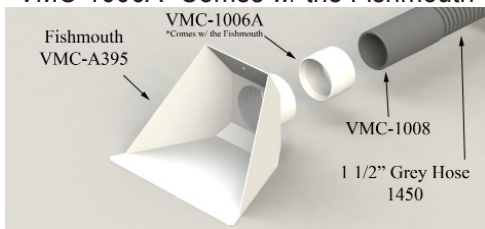
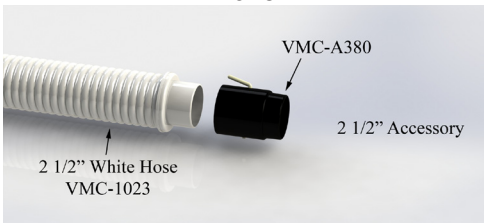
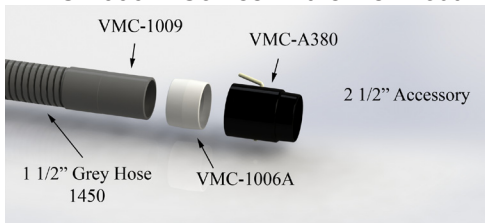
RECOMMENDED USAGE

1. The Fishmouth is a work surface dust collector accessory that provides effective dust containment and removal.

ACCESSORIES & REPLACEMENT PARTS

Shut off Valve PN: VMC-A380

ADAPTER GUIDE

2 1/2" White Hose (VMC-1023)	1 1/2" Grey Hose (1450) w/ VMC-1009 end
<p>Fishmouth VMC-A395</p> <p>None</p>  <p>Fishmouth VMC-A395</p> <p>2 1/2" White Hose VMC-1023</p>	<p>Fishmouth VMC-A395</p> <p>VMC-1006A *Comes w/ the Fishmouth</p>  <p>Fishmouth VMC-A395</p> <p>VMC-1006A *Comes w/ the Fishmouth</p> <p>VMC-1008</p> <p>1 1/2" Grey Hose 1450</p>
<p>Shut Off Valve VMC-A380</p>	
<p>None</p>  <p>2 1/2" White Hose VMC-1023</p> <p>VMC-A380</p> <p>2 1/2" Accessory</p>	<p>VMC-1006A *Comes w/ the Fishmouth</p>  <p>VMC-1009</p> <p>VMC-A380</p> <p>1 1/2" Grey Hose 1450</p> <p>VMC-1006A</p> <p>2 1/2" Accessory</p>