



Profit from the Eagle Advantage®

# Specification Sheet

## Short Form Specifications

Dispenses any product on tube stock greater than 1" I.D. Consists of four posts grooved on 1" centers for adjustability, two 14" x 48" wire shelves, eight tube dispensers, one 3-sided channel frame, and two 30"-deep outrigger bases for stability. Stainless or chrome-plated finish.



roll bag dispenser

Item No.:	_____
Project No.:	_____
S.I.S. No.:	_____

## Roll Bag Dispensers

### MODELS:

- BD1448C**
- BD1448S**

### Design and Construction Features

- Two 14" x 48" (356 x 1219mm) wire shelves.
- Eight removable dispenser bars with 40" (1016mm) length (between collar brackets) to accommodate contents, adjustable on 1" (25mm) increments.
- Four 74" (1880mm) posts with 30" (762mm) outrigger feet for stability.
- One 3-sided channel frame.
- Available in stainless steel or chrome finish.
- Custom sizes and configurations available.

### Applications

- An effective means of dispensing products on rolls or spools.
- An easy way to establish protocol by color of cleanroom waste, avoiding inadvertent mixing of non-compatible items.
- Allows significant inventory to be stored at the point of use.



# CUSTOM PRODUCTS & SERVICES

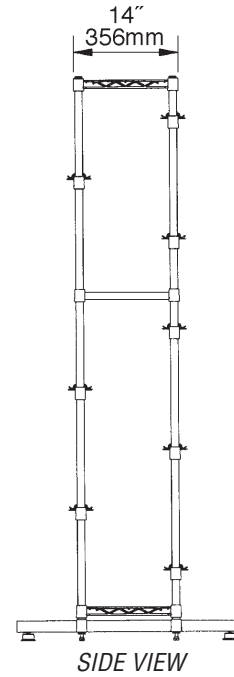
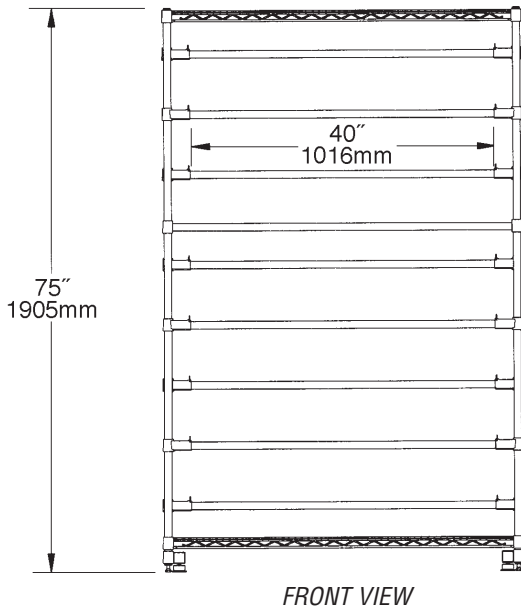
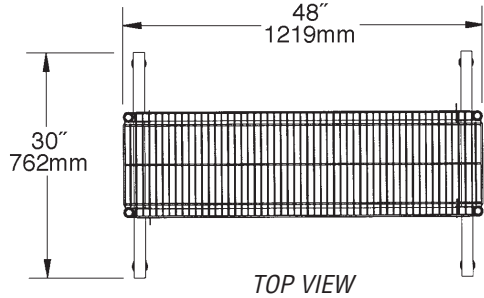
6286 Claude Way E, Inver Grove Heights, MN 55076-4435  
PH: 888-444-1202 (Toll Free) or 651-452-0113 Fax: 651-452-2264

E-mail: [Info@custom-products.com](mailto:Info@custom-products.com)  
Website: [www.custom-products.com](http://www.custom-products.com)



Item No.: \_\_\_\_\_  
 Project No.: \_\_\_\_\_  
 S.I.S. No.: \_\_\_\_\_

# Roll Bag Dispensers



CHROME model #	STAINLESS model #	shelf width		shelf length		overall width		overall length		weight	
		in.	mm	in.	mm	in.	mm	in.	mm	lbs.	kg
BD1448C	BD1448S	14"	356	48"	1219	30"	762	48"	1219	79	35.8

Call factory for information about additional sizes.



**CUSTOM PRODUCTS & SERVICES**

6286 Claude Way E, Inver Grove Heights, MN 55076-4435  
 PH: 888-444-1202 (Toll Free) or 651-452-0113 Fax: 651-452-2264

E-mail: [Info@custom-products.com](mailto:Info@custom-products.com)  
 Website: [www.custom-products.com](http://www.custom-products.com)