

Specification Sheet

Short Form Specifications

Chrome-plated 24" wide by 48" or 60" lengths. Four support bars with a wire shelf at the base and a three-sided channel frame at the mid height and top. 5"-diameter polyurethane swivel casters.

Sterile Wrap Carts

MODELS:

- | | | |
|-------------------------------------|--------------------------------------|--------------------------------------|
| <input type="checkbox"/> SWC2448C | <input type="checkbox"/> CV-63-2448 | <input type="checkbox"/> CVC-63-2448 |
| <input type="checkbox"/> SWC2460C | <input type="checkbox"/> CV-63-2460 | <input type="checkbox"/> CVC-63-2460 |
| <input type="checkbox"/> CZ-63-2448 | <input type="checkbox"/> CZC-63-2448 | <input type="checkbox"/> SB48 |
| <input type="checkbox"/> CZ-63-2460 | <input type="checkbox"/> CZC-63-2460 | <input type="checkbox"/> SB60 |



#SWC2460C sterile wrap cart

Design and Construction Features

- Sterile Wrap Carts provide a safe and convenient place to hang or store wraps. Most wraps can be hung so that all sizes can be seen or removed at one time. The bottom wire shelf, standard on all units, can be used to hold extra or odd size wraps.
- Carrier assembly, which supports the bars, is adjustable in 1" (25mm) increments along the height of the posts so that it can be positioned at a comfortable level for users, whether seated or standing. The four bars can also be positioned in any of 18 slots along the carrier assembly.
- All models come standard with four square horizontal bars; additional bars can be added as accessories if needed.
- 5" (127mm) swivel casters provide easy maneuverability.
- Available in two lengths: 48" and 60" (1219 and 1524mm). The 60" (1219mm) models will hold wrap up to 54" x 72" (1372 x 1829mm).
- All models are 68" (1727mm) in overall height.
- Units have four 1" (25mm)-diameter posts with grooves numbered in 1" (25mm) increments to ensure fast and level assembly and adjustment.
- 5" (127mm) swivel chrome-plated with polyurethane tread.
- Chrome-plated bottom wire shelf.
- 3-sided chrome-plated top and intermediate channel frames.
- 1" (25mm) chrome-plated support bars.

Options / Accessories

- | | |
|--|--|
| <input type="checkbox"/> Cart cover | <input type="checkbox"/> Dividers |
| <input type="checkbox"/> Additional support bars | <input type="checkbox"/> Plastic shelf markers |
| <input type="checkbox"/> Ledges | |



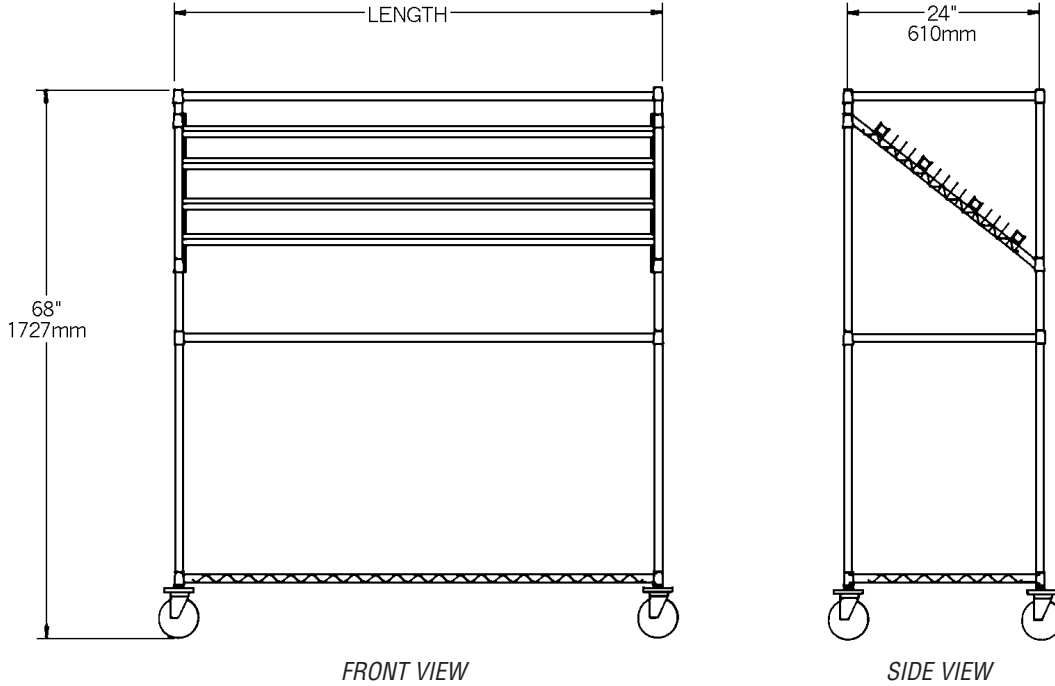
Profit from the Eagle Advantage®



CUSTOM PRODUCTS & SERVICES
 6286 Claude Way E, Inver Grove Heights, MN 55076-4435
 PH: 888-444-1202 (Toll Free) or 651-452-0113 Fax: 651-452-2264

E-mail: Info@custom-products.com
 Website: www.custom-products.com

Sterile Wrap Carts



model #	width		length		height		weight	
	in.	mm	in.	mm	in.	mm	lbs.	kg
SWC2448C	24"	610	48"	1219	68"	1727	83	37.6
SWC2460C	24"	610	60"	1524	68"	1727	94	42.6

Optional Sterile Wrap Cart Covers

uncoated w/zipper model #	uncoated w/velcro model #	coated w/zipper model #	coated w/velcro model #	shelf width in. mm	shelf length in. mm	post height in. mm	weight lbs. kg
CZ-63-2448	CV-63-2448	CZC-63-2448	CVC-63-2448	24" 610	48" 1219	63" 1600	4 1.8
CZ-63-2460	CV-63-2460	CZC-63-2460	CVC-63-2460	24" 610	60" 1524	63" 1600	5 2.3

Additional Support Bars

model #	length		weight	
	in.	mm	lbs.	kg
SB48	48"	1219	2.7	1.2
SB60	60"	1524	3.4	1.5